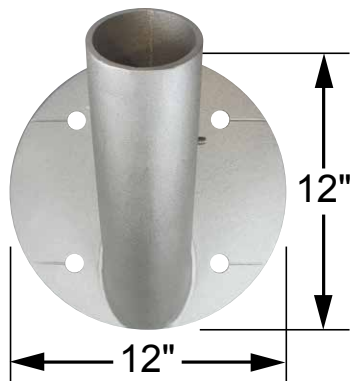


OUTDOOR FLAGPOLES

OUTRIGGER WALL MOUNT SERIES

External Halyard Aluminum Flagpoles

ECOST & ECOS
3" Diameter Poles Only
45° Angle Only



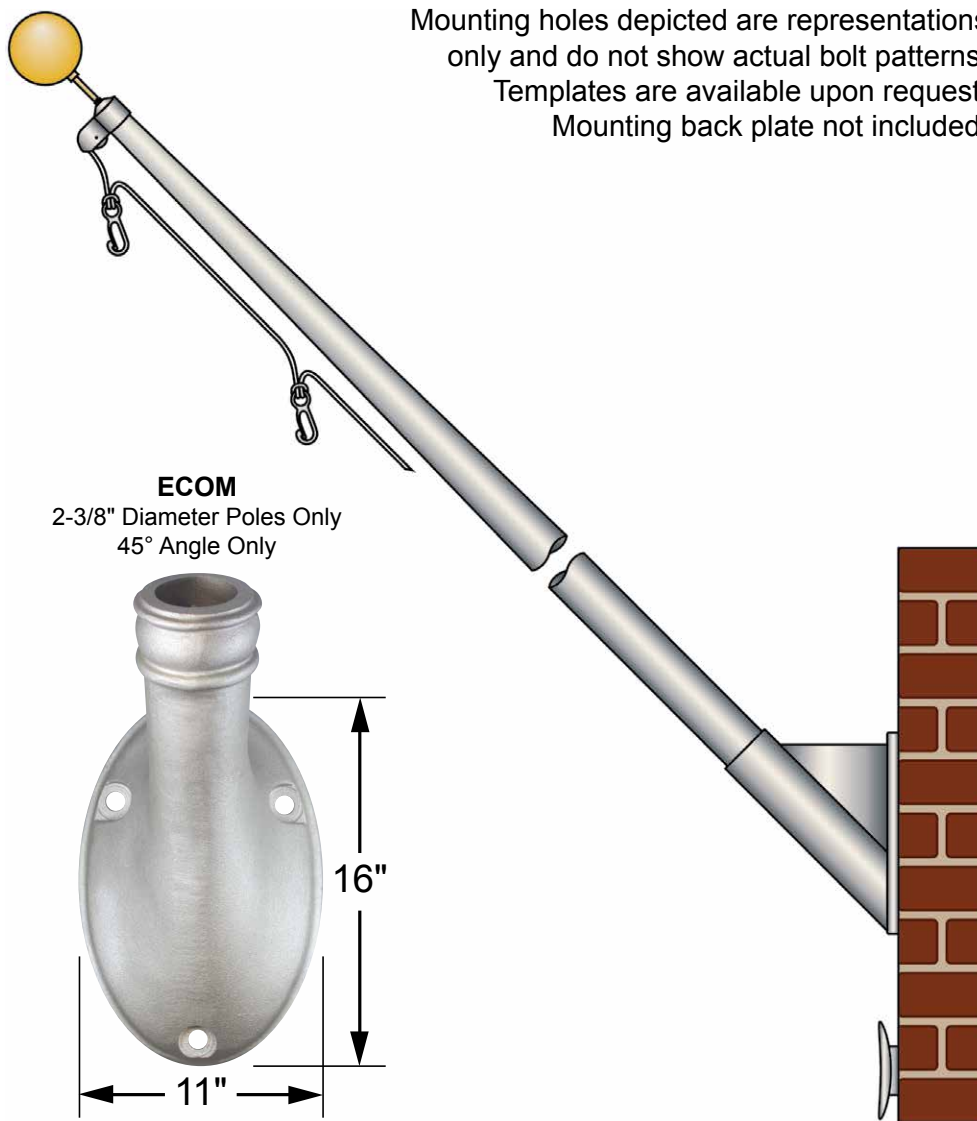
ECO
3-1/2" Diameter Poles Only
60° Angle Only



ECOM
2-3/8" Diameter Poles Only
45° Angle Only



Mounting holes depicted are representations only and do not show actual bolt patterns. Templates are available upon request. Mounting back plate not included.



All Models are Cone Tapered Except the ECOS Models which are Non-Tapered Poles

MODEL	OVERALL LENGTH	CONE TAPERED	NON-TAPERED	BUTT DIA.	TOP DIA.	WALL	SUGGESTED FLAG SIZE	SHIPPING WEIGHT
ECOM8	8'	•		2-3/8"	1-7/8"	.140	3' x 5'	51 lbs.
ECOM10	10'	•		2-3/8"	1-7/8"	.140	3' x 5'	58 lbs.
ECOM12	12'	•		2-3/8"	1-7/8"	.140	3' x 5'	58 lbs.
ECOM14	14'	•		2-3/8"	1-7/8"	.140	3' x 5'	62 lbs.
ECOM16	16'	•		2-3/8"	1-7/8"	.140	3' x 5'	65 lbs.
ECOST8	8'	•		3"	1-7/8"	.125	3' x 5'	36 lbs.
ECOST10	10'	•		3"	1-7/8"	.125	3' x 5'	39 lbs.
ECOS8	8'		•	3"	3"	.125	3' x 5'	35 lbs.
ECOS10	10'		•	3"	3"	.125	3' x 5'	38 lbs.
ECO8	8'	•		3-1/2"	2-3/8"	.125	3' x 5'	54 lbs.
ECO10	10'	•		3-1/2"	2-3/8"	.125	3' x 5'	58 lbs.
ECO12	12'	•		3-1/2"	2-3/8"	.125	3' x 5'	62 lbs.
ECO16	16'	•		3-1/2"	2-3/8"	.125	3' x 5'	71 lbs.
ECO20**	20'	•		3-1/2"	2-3/8"	.125	4' x 6'	80 lbs.

**Suggested to use guy wires

STANDARD ACCESSORIES

- Gold anodized aluminum ball ornament
- Cast aluminum stationary truck
- Solid braided polypropylene halyard
- (2) nylon flag snaps
- Cast aluminum cleat with mounting screws
- Cast aluminum mounting brackets.
- If thru wall bolts are required, please advise length of bolt needed.